

### Features

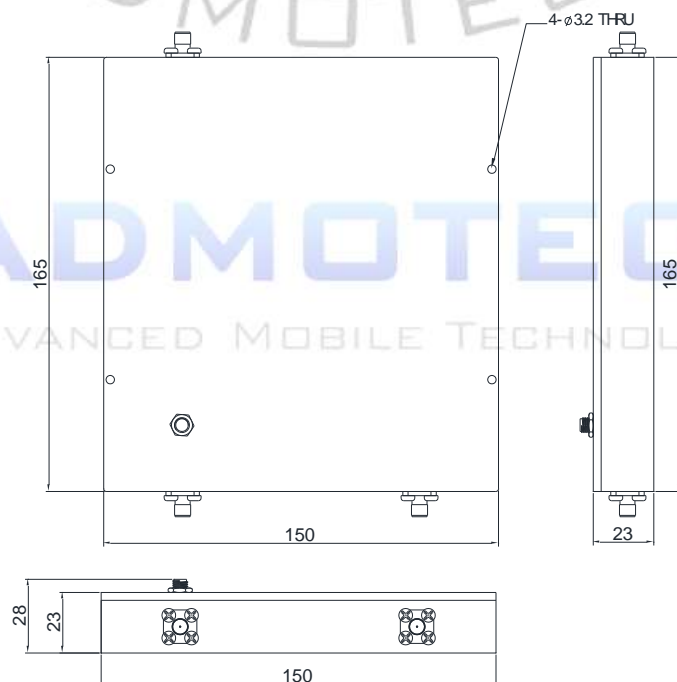
- Cavity Diplexer
- 0.8 dB typical Insertion loss @ room temp.
- 40 dB typical Isolation.



### Specifications

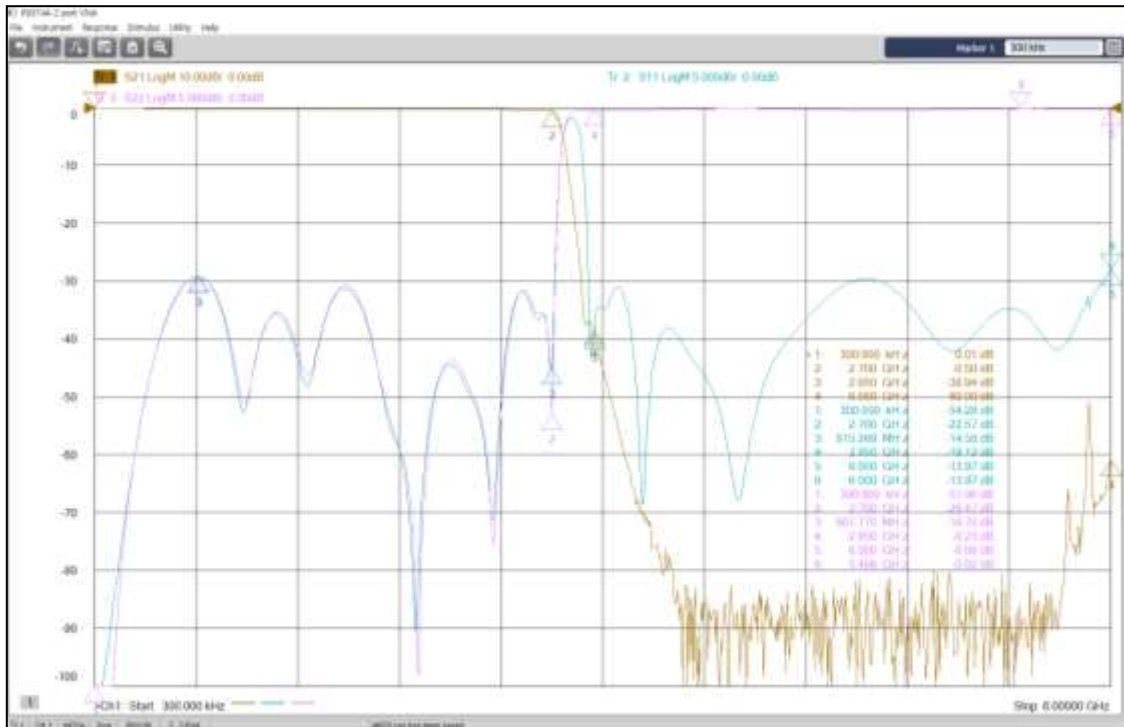
Parameter	Specifications		Remarks
Frequency Range	CH 1	CH 2	
	DC ~ 2,700 MHz	2,950 ~ 6,000 MHz	
Insertion Loss (Max.)	1.5 dB		
Return Loss (Min.)	13.5 dB		
Isolation between CH (Min.)	35.0 dB		
In/ Out Impedance	50 Ω		
Handling Power (Max.)	CW 20 W		
Operation Temperature Range	25 ± 10 °C		
Dimensions	150.0 * 165.0 * 28.0 mm		Exclude Connectors
Connector	SMA (Female)		

### Outline Drawing

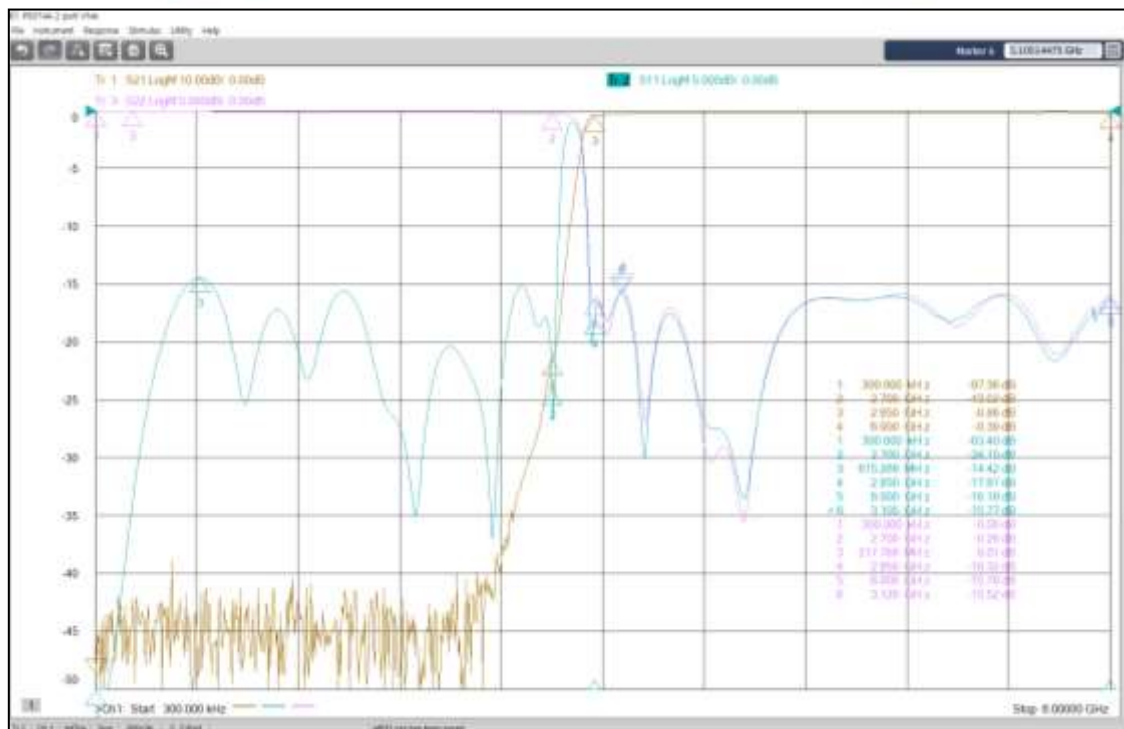


Units : mm, Tolerance : +/- 0.2 mm

# Typical Response



Diplexer CH1 path Transmission



Diplexer CH2 path Transmission